

Suction cups with connector VAS/VASB

FESTO



Festo Core Range
Solves the majority of your automation tasks

With the Festo Core Range, we have selected the most important products and functions from our broad product catalogue, and added the quickest delivery.

Worldwide: Quickest delivery – wherever, whenever
Simply good: Expected high Festo quality
Fast: Easy and fast to select

The Core Range offers you the best value for your automation tasks.

Just look
for the
star!

Key features

Product overview

Suction grippers from Festo offer outstanding functionality and quality. An extensive, modular range of suction cups with connection attachments, in different shapes, materials and sizes, as well as plus a selection of suction cup holders, angle and height compensators and vacuum filters within the modular suction gripper system, provide users with a huge choice of possible combinations for a wide variety of applications.

Vacuum suction grippers ESG

Datasheets → Internet: esg

Modular products with over 2000 variants



- The ideal solution for transporting workpieces with different weights, surfaces and shapes
- Choose from:
 - 15 suction cup diameters
 - 6 different materials – including anti-static ones
 - 6 suction cup shapes
 - Numerous suction cup holders
 - Optional accessories (vacuum filters and angle compensators)
- Wide range of variants
- A suitable solution for every task
- Wide range to suit applications with various temperature ranges and workpiece surfaces
- Suction cups made from silicone are food-safe

Suction cups with connector VAS/VASB

Sturdy and reliable



- The ideal solution for transporting workpieces with different weights, surfaces and shapes
- Choose from:
 - 11 suction cup diameters
 - 2 suction cup shapes: round and protective-bellows design with 1.5 convolutions
 - 3 materials: nitrile rubber, polyurethane and silicone for use in a wide variety of applications
- Wide range to suit applications with various temperature ranges and workpiece surfaces
- Suction cups made from silicone are food-safe
- All tubing connection sizes correspond to a holder size

Key features

Suction cups with fixed connecting thread

- VAS: \varnothing 2 ... 125 mm
VASB: \varnothing 8 ... 125 mm
- Picking up workpieces with smooth, impermeable surfaces
- Bellows-type suction cups can adapt to suit uneven, curved and inclined surfaces

Nitrile rubber (NBR)

- Can be used universally

Polyurethane (PUR)

- Long service life
- Gentle handling owing to soft material

Silicone (SI)

- Excellent thermal resistance
- Suitable for use in the food industry



Accessories

Vacuum security valve ISV

Datasheets → Internet: [isv](#)

- Vacuum doesn't break down when multiple suction cups are arranged in parallel
- Saves compressed air and energy



Length compensator VAL

Datasheets → Internet: [val](#)

- Workpieces are handled gently thanks to compensation for tolerance differences in the workpiece thickness.



Elbow fitting LJK

Datasheets → Internet: [ljk](#)

- Rerouting the air connection
- Swivel joint can be rotated 360°



Adapter AD

Datasheets → Internet: [ad](#)

- For connecting suction cup and piston rod thread, for example



Vacuum technology can be used in a wide range of applications

- Lifting
- Equipping
- Moving
- Inserting
- Conveying
- Gripping
- Holding
- Stacking
- Clamping
- Transporting
- Repositioning
- Turning


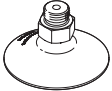



A large area of application for vacuum technology is flexible automation:

- Producing small, medium and large batches
- Mounting
- Conveyor and packaging technology



Product range overview

| Suction cup shape | Version | Type | Suction cup \varnothing | Type of mounting | Vacuum connection | Suction cup materials | → Page/ Internet |
|-------------------------------------------------|-----------------------------------------------------------------------------------|---------------------------------|-------------------------------------------|--------------------------|--------------------------|-----------------------|---------------------|
| Round, flat | Vacuum connection on the side | | | | | | |
| |  | VAS | 8 | M5 | PK-3 | TPE-U(PU) | 6 |
| | Vacuum connection on top | | | | | | |
| |  | VAS | 2, 5, 8, 10, 15, 30, 40, 55, 75, 100, 125 | M3, M5, G1/8, G1/4, G3/8 | M3, M5, G1/8, G1/4, G3/8 | NBR | 8 |
| | | | 8, 10, 15, 30, 40, 55, 75, 100, 125 | M5, G1/8, G1/4, G3/8 | M5, G1/8, G1/4, G3/8 | VMQ (silicone) | 11 |
| | | | 8, 10, 15, 30, 40, 55, 75, 100, 125 | M5, G1/8, G1/4, G3/8 | M5, G1/8, G1/4, G3/8 | PUR | 11 |
| Round, protective bellows with 1.5 convolutions | Vacuum connection on top | | | | | | |
| |  | VASB | 8, 15, 30, 40, 55, 75, 100, 125 | M5, G1/8, G1/4, G3/8 | M5, G1/8, G1/4, G3/8 | NBR | 14 |
| | | | 8, 15, 30, 40, 55, 75, 100, 125 | M5, G1/8, G1/4, G3/8 | M5, G1/8, G1/4, G3/8 | VMQ (silicone) | 17 |
| | | 8, 15, 30, 40, 55, 75, 100, 125 | M5, G1/8, G1/4, G3/8 | M5, G1/8, G1/4, G3/8 | PUR | 17 | |

Type codes

| 001 | Series |
|------|----------------------|
| VASB | Suction cup complete |
| VAS | Suction cup complete |

| 002 | Suction cup size |
|-----|------------------|
| 2 | 2 mm diameter |
| 5 | 5 mm diameter |
| 8 | 8 mm diameter |
| 10 | 10 mm diameter |
| 15 | 15 mm diameter |
| 30 | 30 mm diameter |
| 40 | 40 mm diameter |
| 55 | 55 mm diameter |
| 75 | 75 mm diameter |
| 100 | 100 mm diameter |
| 125 | 125 mm diameter |



| 003 | Vacuum connection |
|-----|-------------------|
| M3 | M3 |
| M5 | M5 |
| G18 | G1/8 |
| G14 | G1/4 |
| G38 | G3/8 |

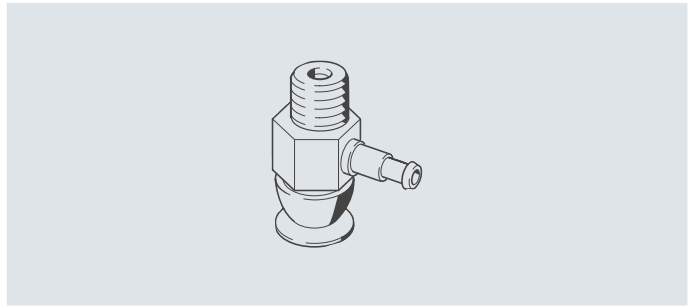
| 004 | Connection position |
|-----|---------------------|
| S | On the side |
| | Top |

| 005 | Material |
|-----|----------------|
| NBR | Nitrile rubber |
| PUR | Polyurethane |
| SI | Silicone |

Suction cups with connector VAS-...-S-PUR-B, vacuum connection on side

Datasheet

-  Diameter
8 mm
-  Temperature range
-20 ... +60°C



| General technical data | | |
|------------------------------------------------------|--------------------|-------------|
| Suction cup \varnothing | [mm] | 8 |
| Vacuum connection | | PK-3 |
| Connection position | | On the side |
| Nominal width | [mm] | 2 |
| Suction cup shape | | Round, flat |
| Type of mounting | | M5 |
| Mounting position | | Any |
| Nominal operating pressure | [MPa] | -0.07 |
| | [bar] | -0.7 |
| | [psi] | -10.15 |
| Holding force at nominal operating pressure -0.7 bar | [N] | 2.8 |
| Effective suction cup diameter | [mm] | 7.1 |
| Suction cup volume | [cm ³] | 0.095 |

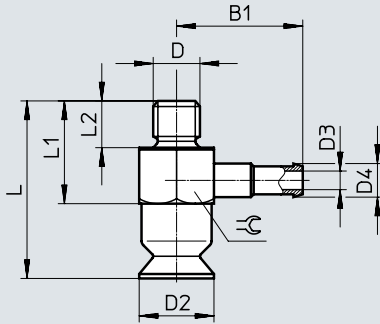
| Operating and environmental conditions | | |
|----------------------------------------------|-------|--------------------------------------------------|
| Operating pressure | [MPa] | -0.095 ... 0 |
| | [bar] | -0.95 ... 0 |
| | [psi] | -13.775 ... 0 |
| Operating medium | | Atmospheric air based on ISO 8573-1:2010 [7:-:-] |
| Ambient temperature | [°C] | -20 ... +60 |
| Corrosion resistance class CRC ¹⁾ | | 2 - Moderate corrosion stress |

1) More information: www.festo.com/x/topic/crc

| Materials | |
|----------------------------|---------------------------|
| Shore hardness | 60 ±5 |
| Suction cup with connector | TPE-U(PU) Colour: blue |
| Screwed trunnion | Brass |
| Note on materials | RoHS-compliant |
| LABS (PWIS) conformity | VDMA24364-A1-L |

Datasheet

Dimensions



Download CAD data → www.festo.com

| Type | B1 | D | D2 ∅ | D3 ∅ | D4 ∅ | L | L1 | L2 -0.1 | ⊖ |
|-------------------|------|----|---------|---------|---------|----|------|------------|---|
| VAS-8-...-S-PUR-B | 13.5 | M5 | 8 | 2 | 3.6 | 19 | 11.5 | 5 | 8 |

Ordering data

| Suction cup ∅ [mm] | Vacuum connection | Weight [g] | Part no. | Type |
|-----------------------|-------------------|---------------|----------|------------------|
| 8 | PK-3 | 4 | 8025969 | VAS-8-M5-S-PUR-B |

Datasheet

-  Diameter
2 ... 125 mm
-  Temperature range
-20 ... +80°C



| General technical data | | | | | | | | | | | | |
|------------------------------------------------------|--------------------|-----------------------|------|-------|------|-------|------|------|------|------|------|------|
| Suction cup \varnothing | [mm] | 2 | 5 | 8 | 10 | 15 | 30 | 40 | 55 | 75 | 100 | 125 |
| Vacuum connection | | M3 | M5 | M5 | M5 | G1/8 | G1/8 | G1/4 | G1/4 | G1/4 | G1/4 | G3/8 |
| Connection position | | On top | | | | | | | | | | |
| Nominal width | [mm] | 1 | 1.5 | 2 | 2 | 3 | 3 | 4 | 4 | 4 | 4 | 7 |
| Suction cup shape | | Round, flat | | | | | | | | | | |
| Type of mounting | | Via vacuum connection | | | | | | | | | | |
| Mounting position | | Any | | | | | | | | | | |
| Nominal operating pressure | [MPa] | -0.07 | | | | | | | | | | |
| | [bar] | -0.7 | | | | | | | | | | |
| | [psi] | -10.15 | | | | | | | | | | |
| Holding force at nominal operating pressure -0.7 bar | [N] | 0.14 | 0.9 | 1.6 | 4.5 | 7.9 | 34 | 56 | 106 | 197 | 397 | 606 |
| Effective suction cup diameter | [mm] | 1.6 | 4 | 5.5 | 8 | 12 | 25 | 32 | 44 | 60 | 85 | 105 |
| Suction cup volume | [cm ³] | 0.03 | 0.03 | 0.095 | 0.12 | 0.328 | 1.29 | 3.47 | 8.01 | 18.3 | 33.5 | 79.1 |
| Suction cup height compensator | [mm] | 0.5 | 0.5 | 0.9 | 1.1 | 1.2 | 1.9 | 3 | 3.5 | 3.5 | 3.5 | 6 |

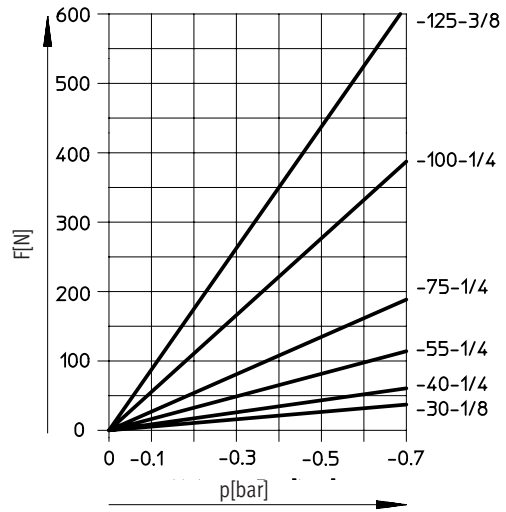
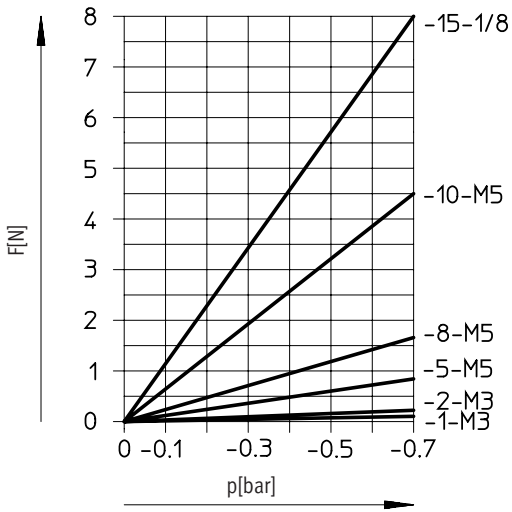
| Operating and environmental conditions | | |
|----------------------------------------------|--------------------------------------------------|---------------|
| Type | VAS-...-NBR | |
| Operating pressure | [MPa] | -0.095 ... 0 |
| | [bar] | -0.95 ... 0 |
| | [psi] | -13.775 ... 0 |
| Operating medium | Atmospheric air based on ISO 8573-1:2010 [7:-:-] | |
| Ambient temperature | [°C] | -20 ... +80 |
| Corrosion resistance class CRC ¹⁾ | 2 - Moderate corrosion stress | |

1) More information: www.festo.com/x/topic/crc

| Materials | |
|----------------------------|-----------------------------------------------------------------|
| Type | VAS-...-NBR |
| Shore hardness | 55 ±5 (suction cup \varnothing 2 ... 5 mm) |
| | 60 ±5 (suction cup \varnothing 8 ... 15 mm) |
| | 70 ±5 (suction cup \varnothing 30 ... 125 mm) |
| Suction cup with connector | NBR Colour: black |
| Screwed trunnion | High alloy steel (suction cup \varnothing 2 mm) |
| | Wrought aluminium alloy (suction cup \varnothing 5 and 10 mm) |
| | Brass (suction cup \varnothing 8, 15 and 30 mm) |
| | Die-cast zinc (suction cup \varnothing 40 ... 125 mm) |
| Note on materials | RoHS-compliant |
| LABS (PWIS) conformity | VDMA24364-A1-L |

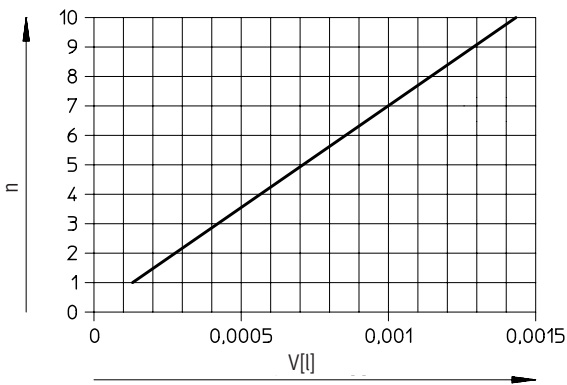
Datasheet

Theoretical suction force F as a function of vacuum p_u



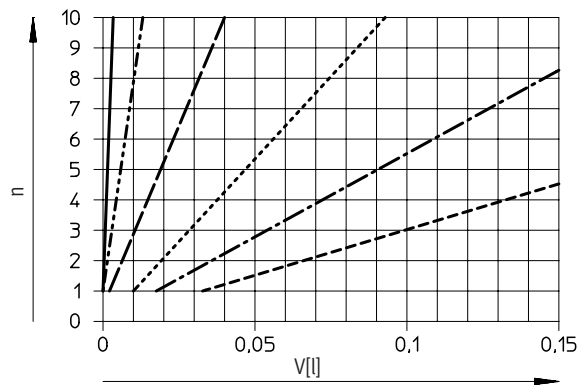
Suction cup volume

VAS-8



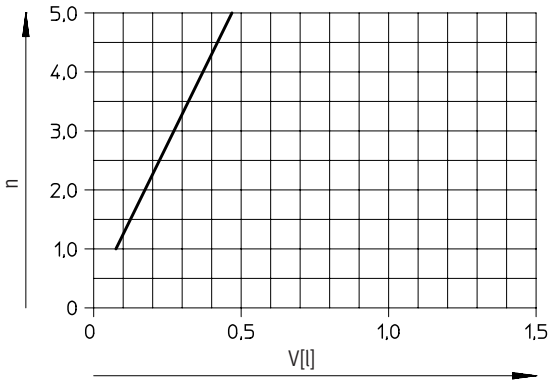
— VAS-8

VAS-15 ... 100



— VAS-15
 - - - VAS-30
 - - - VAS-40
 ····· VAS-55
 - · - VAS-75
 - - - VAS-100

VAS-125



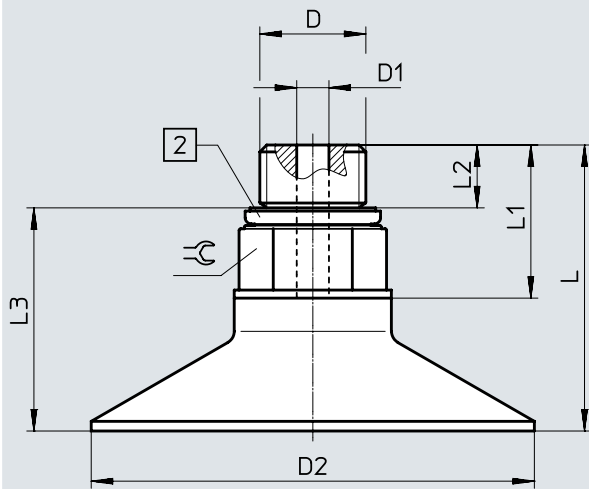
— VAS-125

Datasheet

Dimensions

Download CAD data → www.festo.com

VAS-...-NBR



[2] VAS-5/10: sealing ring OK
 VAS-8/15 ... 125: sealing ring OL

| Type | Connection D | D1 ∅ | D2 ∅ | L | L1 | L2 | L3 | ≙ |
|-----------------------------|-----------------|---------|---------|------|------|------|-------|-----|
| VAS-2-...-NBR ¹⁾ | M3 | 1 | 2 | 9.4 | 5.4 | 3.3 | 6.1 | 4.5 |
| VAS-5-...-NBR | M5 | 2 | 5 | 16.5 | 10 | 3.8 | 12.7 | 8 |
| VAS-8-...-NBR | M5 | 2 | 8 | 19 | 11.3 | 2.85 | 16.15 | 8 |
| VAS-10-...-NBR | M5 | 2 | 10 | 19.2 | 11.5 | 3.8 | 15.4 | 8 |
| VAS-15-...-NBR | G1/8 | 3 | 15 | 20.2 | 12 | 4.7 | 15.5 | 13 |
| VAS-30-...-NBR | G1/8 | 3 | 30 | 21.5 | 12 | 4.7 | 16.8 | 13 |
| VAS-40-...-NBR | G1/4 | 4 | 40 | 30.9 | 17.4 | 5.8 | 25.1 | 17 |
| VAS-55-...-NBR | G1/4 | 4 | 55 | 33.9 | 17.4 | 5.8 | 28.1 | 17 |
| VAS-75-...-NBR | G1/4 | 4 | 75 | 28 | 17 | 5.8 | 22.2 | 17 |
| VAS-100-...-NBR | G1/4 | 4 | 100 | 28 | 17 | 5.8 | 22.2 | 17 |
| VAS-125-...-NBR | G3/8 | 7 | 125 | 36 | 20 | 6.05 | 29.95 | 19 |

1) Sealing ring is not included in the scope of delivery.

★ Core Range



Ordering data

| Suction cup ∅ [mm] | Vacuum connection | Weight [g] | Part no. | Type |
|-----------------------|-------------------|---------------|----------|----------------|
| 30 | G1/8 | 13 | ★ 34587 | VAS-30-1/8-NBR |

Ordering data

| Suction cup ∅ [mm] | Vacuum connection | Weight [g] | Part no. | Type |
|-----------------------|-------------------|---------------|----------|-----------------|
| 2 | M3 | 1 | 173438 | VAS-2-M3-NBR |
| 5 | M5 | 2 | 173439 | VAS-5-M5-NBR |
| 8 | M5 | 4 | 34588 | VAS-8-M5-NBR |
| 10 | M5 | 3 | 173440 | VAS-10-M5-NBR |
| 15 | G1/8 | 11 | 36142 | VAS-15-1/8-NBR |
| 40 | G1/4 | 26 | 36143 | VAS-40-1/4-NBR |
| 55 | G1/4 | 32 | 36144 | VAS-55-1/4-NBR |
| 75 | G1/4 | 76 | 36145 | VAS-75-1/4-NBR |
| 100 | G1/4 | 138 | 34586 | VAS-100-1/4-NBR |
| 125 | G3/8 | 152 | 152605 | VAS-125-3/8-NBR |

Datasheet

-  Diameter
8 ... 125 mm
-  Temperature range
-40 ... +200°C

**General technical data**

| Suction cup ø | [mm] | 8 | 10 | 15 | 30 | 40 | 55 | 75 | 100 | 125 |
|------------------------------------------------------|--------------------|-----------------------|-------------------|-------|-------------------|-------------------|------|---------------------|---------------------|---------------------|
| Vacuum connection | | M5 | M5 | G1/8 | G1/8 | G1/4 | G1/4 | G1/4 | G1/4 | G3/8 |
| Connection position | | On top | | | | | | | | |
| Nominal width | [mm] | 2 | 2 | 3 | 3 | 4 | 4 | 4 | 4 | 7 |
| Suction cup shape | | Round, flat | | | | | | | | |
| Type of mounting | | Via vacuum connection | | | | | | | | |
| Mounting position | | Any | | | | | | | | |
| Nominal operating pressure | [MPa] | -0.07 | | | | | | | | |
| | [bar] | -0.7 | | | | | | | | |
| | [psi] | -10.5 | | | | | | | | |
| Holding force at nominal operating pressure -0.7 bar | [N] | SI: 2.6 PUR: 2.8 | SI: 3.7 PUR: 4 | 8.5 | SI: 31 PUR: 34 | SI: 58 PUR: 60 | 110 | SI: 245 PUR: 250 | SI: 464 PUR: 450 | SI: 700 PUR: 570 |
| | [cm ³] | 0.095 | 0.12 | 0.328 | 1.29 | 3.47 | 8.01 | 18.3 | 33.5 | 79.1 |
| Suction cup height compensator | [mm] | 0.9 | 1.1 | 1.2 | 1.9 | 3 | 3.5 | 3.5 | 3.5 | 6 |

Operating and environmental conditions

| Type | | VAS-...-SI-B | VAS-...-PUR-B |
|----------------------------------------------|-------|--------------------------------------------------|---------------|
| Operating pressure | [MPa] | -0.095 ... 0 | |
| | [bar] | -0.95 ... 0 | |
| | [psi] | -13.775 ... 0 | |
| Operating medium | | Atmospheric air based on ISO 8573-1:2010 [7:-:-] | |
| Ambient temperature | [°C] | -40 ... +200 | -20 ... +60 |
| Corrosion resistance class CRC ¹⁾ | | 2 - Moderate corrosion stress | |
| Food-safe ²⁾ | | See supplementary material information | - |

1) More information: www.festo.com/x/topic/crc2) More information: www.festo.com/catalogue/vas → Support/Downloads.**Materials**

| Type | | VAS-...-SI-B | VAS-...-PUR-B |
|----------------------------|--|-------------------------|---------------------------------------------|
| Shore hardness | | 60 ±5 | |
| Suction cup with connector | | VMQ (silicone) | PUR |
| | | Colour: transparent | Colour: blue |
| Screwed trunnion | | Wrought aluminium alloy | Brass (suction cup ø 8 ... 30 mm) |
| | | | Die-cast zinc (suction cup ø 40 ... 125 mm) |
| Note on materials | | RoHS-compliant | |
| LABS (PWIS) conformity | | VDMA24364 zone III | |

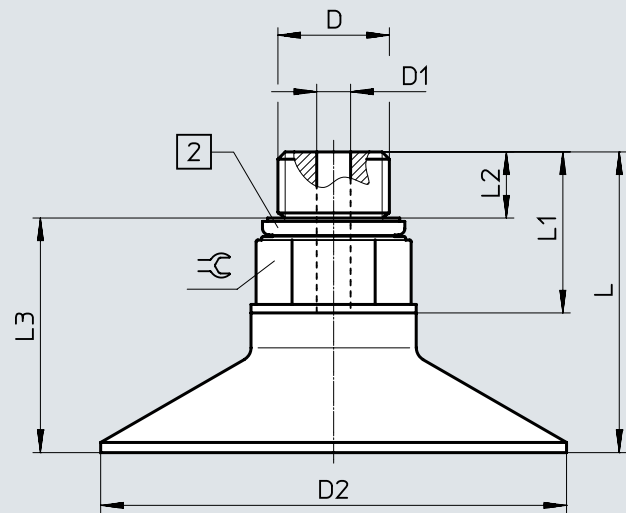
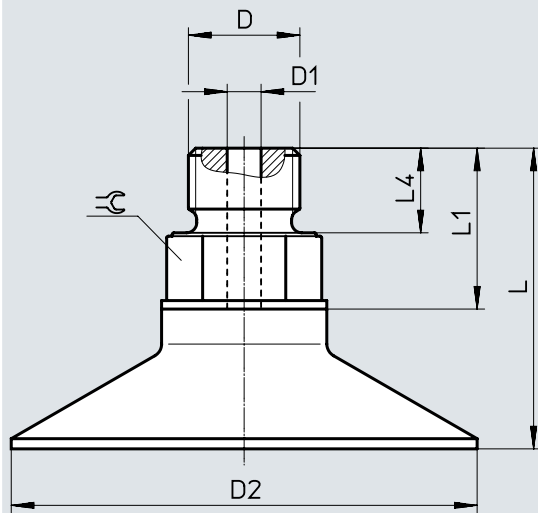
Datasheet

Dimensions

Download CAD data → www.festo.com

VAS-...-SI-B

VAS-...-PUR-B



[2] Sealing ring

| Type | Connection D | D1 ø | D2 ø | L | L1 | L2 | L3 | L4 | ≙ |
|-------------------|-----------------|---------|---------|------|------|------|-------|-----|----|
| VAS-8-...-SI-B | M5 | 2 | 8 | 19.2 | 11.5 | - | - | 4.3 | 8 |
| VAS-10-...-SI-B | M5 | 2 | 10 | 19.2 | 11.5 | - | - | 4.3 | 8 |
| VAS-15-...-SI-B | G1/8 | 3 | 15 | 20 | 12 | - | - | 6.5 | 13 |
| VAS-30-...-SI-B | G1/8 | 3 | 30 | 21.5 | 12 | - | - | 6.5 | 13 |
| VAS-40-...-SI-B | G1/4 | 4 | 40 | 30.5 | 17 | - | - | 8 | 17 |
| VAS-55-...-SI-B | G1/4 | 4 | 55 | 33.5 | 17 | - | - | 8 | 17 |
| VAS-75-...-SI-B | G1/4 | 4 | 75 | 28.2 | 17 | - | - | 8 | 17 |
| VAS-100-...-SI-B | G1/4 | 4 | 100 | 28 | 17 | - | - | 8 | 17 |
| VAS-125-...-SI-B | G3/8 | 7 | 125 | 36 | 20 | - | - | 12 | 19 |
| VAS-8-...-PUR-B | M5 | 2 | 8 | 19 | 11.3 | 2.85 | 16.15 | - | 8 |
| VAS-10-...-PUR-B | M5 | 2 | 10 | 19.2 | 11.5 | 2.85 | 16.35 | - | 8 |
| VAS-15-...-PUR-B | G1/8 | 3 | 15 | 20 | 12 | 4.7 | 15.3 | - | 13 |
| VAS-30-...-PUR-B | G1/8 | 3 | 30 | 21.5 | 12 | 4.7 | 16.8 | - | 13 |
| VAS-40-...-PUR-B | G1/4 | 4 | 40 | 29.5 | 17 | 5.8 | 23.7 | - | 17 |
| VAS-55-...-PUR-B | G1/4 | 4 | 55 | 32.5 | 17 | 5.8 | 26.7 | - | 17 |
| VAS-75-...-PUR-B | G1/4 | 4 | 75 | 28 | 17 | 5.8 | 22.2 | - | 17 |
| VAS-100-...-PUR-B | G1/4 | 4 | 100 | 28 | 17 | 5.8 | 22.2 | - | 17 |
| VAS-125-...-PUR-B | G3/8 | 7 | 125 | 36 | 20 | 6.45 | 29.55 | - | 19 |

Datasheet



★ Core Range

| Ordering data | | | | |
|-----------------------|-------------------|---------------|-----------|------------------|
| Suction cup ø [mm] | Vacuum connection | Weight [g] | Part no. | Type |
| VMQ (silicone) | | | | |
| 15 | G1/8 | 4 | ★ 1376604 | VAS-15-1/8-SI-B |
| 30 | G1/8 | 5 | ★ 1377752 | VAS-30-1/8-SI-B |
| Polyurethane | | | | |
| 40 | G1/4 | 26 | ★ 1396092 | VAS-40-1/4-PUR-B |

| Ordering data | | | | |
|-----------------------|-------------------|---------------|----------|-------------------|
| Suction cup ø [mm] | Vacuum connection | Weight [g] | Part no. | Type |
| VMQ (silicone) | | | | |
| 8 | M5 | 2 | 1377781 | VAS-8-M5-SI-B |
| 10 | M5 | 2 | 1385610 | VAS-10-M5-SI-B |
| 40 | G1/4 | 14 | 1379454 | VAS-40-1/4-SI-B |
| 55 | G1/4 | 19 | 1379348 | VAS-55-1/4-SI-B |
| 75 | G1/4 | 62 | 1382165 | VAS-75-1/4-SI-B |
| 100 | G1/4 | 116 | 1386376 | VAS-100-1/4-SI-B |
| 125 | G3/8 | 214 | 1415120 | VAS-125-3/8-SI-B |
| Polyurethane | | | | |
| 8 | M5 | 4 | 1396086 | VAS-8-M5-PUR-B |
| 10 | M5 | 4 | 1469698 | VAS-10-M5-PUR-B |
| 15 | G1/8 | 11 | 1396087 | VAS-15-1/8-PUR-B |
| 30 | G1/8 | 12 | 1396090 | VAS-30-1/8-PUR-B |
| 55 | G1/4 | 30 | 1396095 | VAS-55-1/4-PUR-B |
| 75 | G1/4 | 77 | 1396096 | VAS-75-1/4-PUR-B |
| 100 | G1/4 | 140 | 1396098 | VAS-100-1/4-PUR-B |
| 125 | G3/8 | 249 | 1396108 | VAS-125-3/8-PUR-B |

Suction cups with connector VASB-...-NBR, protective bellows

Datasheet

-  Diameter
8 ... 125 mm
-  Temperature range
-20 ... +80°C



| General technical data | | | | | | | | | |
|------------------------------------------------------|--------------------|-------------------------------------------------|------|------|-------|------|------|------|------|
| Suction cup ø | [mm] | 8 | 15 | 30 | 40 | 55 | 75 | 100 | 125 |
| Vacuum connection | | M5 | G1/8 | G1/8 | G1/4 | G1/4 | G1/4 | G1/4 | G3/8 |
| Connection position | | On top | | | | | | | |
| Nominal width | [mm] | 2 | 3 | 3 | 4 | 4 | 4 | 4 | 7 |
| Suction cup shape | | Round, protective bellows with 1.5 convolutions | | | | | | | |
| Type of mounting | | Via vacuum connection | | | | | | | |
| Mounting position | | Any | | | | | | | |
| Nominal operating pressure | [MPa] | -0.07 | | | | | | | |
| | [bar] | -0.7 | | | | | | | |
| | [psi] | -10.15 | | | | | | | |
| Holding force at nominal operating pressure -0.7 bar | [N] | 1.6 | 7.9 | 34 | 56 | 106 | 197 | 397 | 606 |
| Effective suction cup diameter | [mm] | 5.5 | 12 | 25 | 32 | 44 | 60 | 85 | 105 |
| Suction cup volume | [cm ³] | 0.163 | 0.83 | 6.18 | 11.11 | 30.4 | 65.5 | 128 | 307 |
| Suction cup height compensator | [mm] | 3.3 | 5.6 | 13.9 | 13.7 | 20 | 15.5 | 15.5 | 25 |

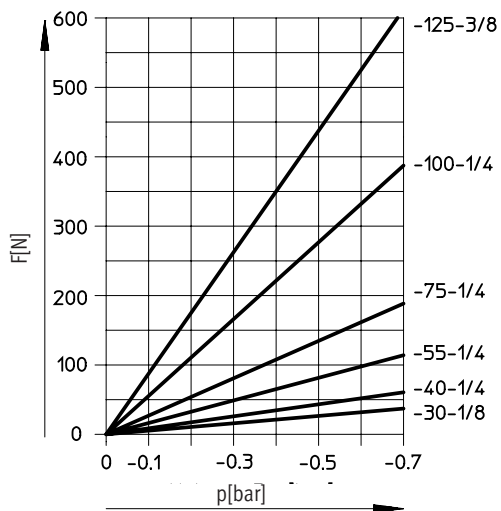
| Operating and environmental conditions | | |
|----------------------------------------------|--------------------------------------------------|---------------|
| Type | VASB-...-NBR | |
| Operating pressure | [MPa] | -0.095 ... 0 |
| | [bar] | -0.95 ... 0 |
| | [psi] | -13.775 ... 0 |
| Operating medium | Atmospheric air based on ISO 8573-1:2010 [7:-:-] | |
| Ambient temperature | [°C] | -20 ... +80 |
| Corrosion resistance class CRC ¹⁾ | 2 - Moderate corrosion stress | |

1) More information: www.festo.com/x/topic/crc

| Materials | |
|----------------------------|------------------------------------------------------|
| Type | VASB-...-NBR |
| Shore hardness | 60 ±5 |
| Suction cup with connector | NBR Colour: black |
| Screwed trunnion | Brass (suction cup ø 8 ... 30 mm) |
| | Die-cast zinc (suction cup ø 40 ... 125 mm) |
| Note on materials | RoHS-compliant |
| LABS (PWIS) conformity | VDMA24364-A1-L (VASB-100-1/4-NBR: VDMA24364-B1/B2-L) |

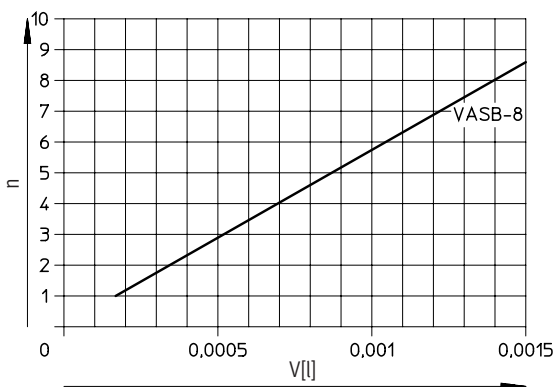
Datasheet

Theoretical suction force F as a function of vacuum p_u

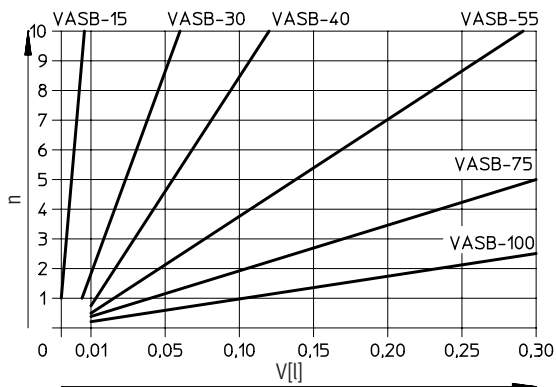


Suction cup volume

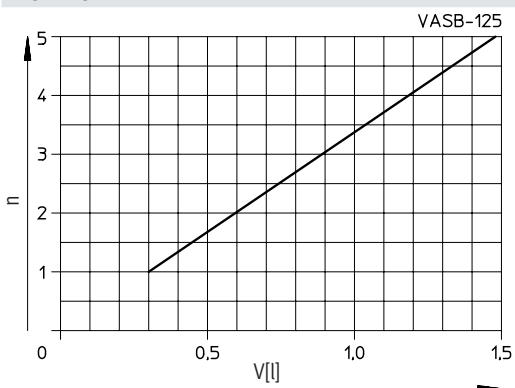
VASB-8



VASB-15 ... 100



VASB-125

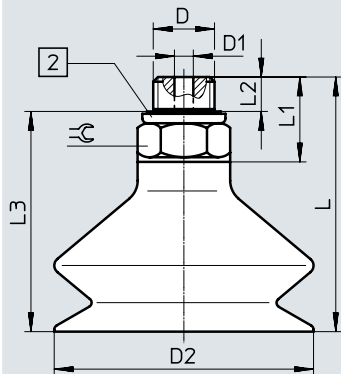


Datasheet

Dimensions

Download CAD data → www.festo.com

VASB-...-NBR





[2] Sealing ring OL

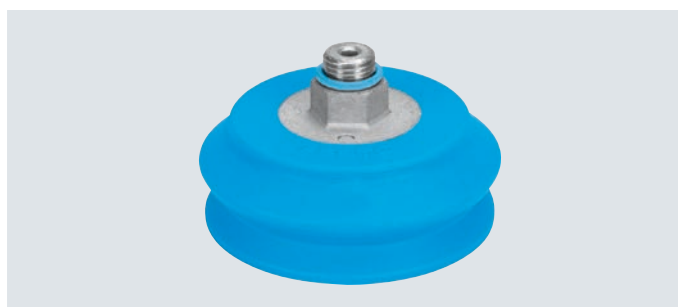
| Type | Connection D | D1 ∅ | D2 ∅ | L | L1 | L2 | L3 | ≡C |
|------------------|--------------|---------|---------|------|------|------|-------|----|
| VASB-8-...-NBR | M5 | 2 | 8 | 22.5 | 11.3 | 2.85 | 19.65 | 8 |
| VASB-15-...-NBR | G1/8 | 3 | 15 | 25.2 | 12 | 4.7 | 20.5 | 13 |
| VASB-30-...-NBR | G1/8 | 3 | 30 | 34.3 | 12 | 4.7 | 29.6 | 13 |
| VASB-40-...-NBR | G1/4 | 4 | 40 | 43.4 | 17.4 | 5.8 | 37.6 | 17 |
| VASB-55-...-NBR | G1/4 | 4 | 55 | 52.4 | 17.4 | 5.8 | 46.6 | 17 |
| VASB-75-...-NBR | G1/4 | 4 | 75 | 43.5 | 17 | 5.8 | 37.7 | 17 |
| VASB-100-...-NBR | G1/4 | 4 | 100 | 44 | 17 | 5.8 | 38.2 | 17 |
| VASB-125-...-NBR | G3/8 | 7 | 125 | 60 | 20 | 6 | 54 | 19 |

Ordering data

| Suction cup ∅ [mm] | Vacuum connection | Weight [g] | Part no. | Type |
|-----------------------|-------------------|---------------|----------|------------------|
| 8 | M5 | 4 | 35410 | VASB-8-M5-NBR |
| 15 | G1/8 | 11 | 35411 | VASB-15-1/8-NBR |
| 30 | G1/8 | 15 | 35412 | VASB-30-1/8-NBR |
| 40 | G1/4 | 30 | 35413 | VASB-40-1/4-NBR |
| 55 | G1/4 | 42 | 35414 | VASB-55-1/4-NBR |
| 75 | G1/4 | 95 | 35415 | VASB-75-1/4-NBR |
| 100 | G1/4 | 170 | 35416 | VASB-100-1/4-NBR |
| 125 | G3/8 | 207 | 152609 | VASB-125-3/8-NBR |

Datasheet

-  Diameter
8 ... 125 mm
-  Temperature range
-40 ... +200°C

**General technical data**

| Suction cup ø | [mm] | 8 | 15 | 30 | 40 | 55 | 75 | 100 | 125 |
|------------------------------------------------------|--------------------|-------------------------------------------------|------|-------------------|-------------------|------|---------------------|---------------------|---------------------|
| Vacuum connection | | M5 | G1/8 | G1/8 | G1/4 | G1/4 | G1/4 | G1/4 | G3/8 |
| Connection position | | On top | | | | | | | |
| Nominal width | [mm] | 2 | 3 | 3 | 4 | 4 | 4 | 4 | 7 |
| Suction cup shape | | Round, protective bellows with 1.5 convolutions | | | | | | | |
| Type of mounting | | Via vacuum connection | | | | | | | |
| Mounting position | | Any | | | | | | | |
| Nominal operating pressure | [MPa] | -0.07 | | | | | | | |
| | [bar] | -0.7 | | | | | | | |
| | [psi] | -10.15 | | | | | | | |
| Holding force at nominal operating pressure -0.7 bar | [N] | SI: 2.6 PUR: 2.8 | 8.5 | SI: 25 PUR: 34 | SI: 58 PUR: 60 | 110 | SI: 228 PUR: 250 | SI: 395 PUR: 450 | SI: 610 PUR: 570 |
| Suction cup volume | [cm ³] | 0.163 | 0.83 | 6.18 | 11.11 | 30.4 | 65.5 | 128 | 307 |
| Suction cup height compensator | [mm] | 3.3 | 5.6 | 13.9 | 13.7 | 20 | 15.5 | 15.5 | 25 |

Operating and environmental conditions

| Type | | VASB-...-SI-B | VASB-...-PUR-B |
|----------------------------------------------|-------|--------------------------------------------------|----------------|
| Operating pressure | [MPa] | -0.095 ... 0 | |
| | [bar] | -0.95 ... 0 | |
| | [psi] | -13.775 ... 0 | |
| Operating medium | | Atmospheric air based on ISO 8573-1:2010 [7:-:-] | |
| Ambient temperature | [°C] | -40 ... +200 | -20 ... +60 |
| Corrosion resistance class CRC ¹⁾ | | 2 - Moderate corrosion stress | |
| Food-safe ²⁾ | | See supplementary material information | - |

1) More information: www.festo.com/x/topic/crc2) More information: www.festo.com/catalogue/vasb → Support/Downloads.**Materials**

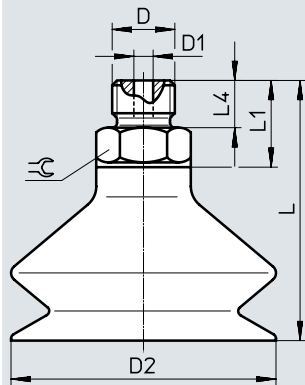
| Type | | VASB-...-SI-B | VASB-...-PUR-B |
|----------------------------|--|----------------------------------------------------------------------------------|---------------------|
| Shore hardness | | 60 ±5 | |
| Suction cup with connector | | VMQ (silicone) Colour: transparent | PUR Colour: blue |
| Screwed trunnion | | Wrought aluminium alloy | |
| | | Brass (suction cup ø 8 ... 30 mm) Die-cast zinc (suction cup ø 40 ... 125 mm) | |
| Note on materials | | RoHS-compliant | |
| LABS (PWIS) conformity | | VDMA24364 zone III | VDMA24364-A1-L |

Datasheet

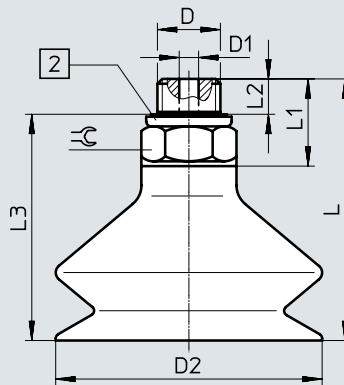
Dimensions

Download CAD data → www.festo.com

VASB-...-SI-B



VASB-...-PUR-B



[2] Sealing ring

| Type | Connection D | D1 ø | D2 ø | L | L1 | L2 | L3 | L4 | ⌀ |
|--------------------|--------------|---------|---------|------|------|------|-------|-----|----|
| VASB-8-...-SI-B | M5 | 2 | 8 | 22.5 | 11.5 | - | - | 4.3 | 8 |
| VASB-15-...-SI-B | G1/8 | 3 | 15 | 25.5 | 12 | - | - | 6.5 | 13 |
| VASB-30-...-SI-B | G1/8 | 3 | 30 | 34 | 12 | - | - | 6.5 | 13 |
| VASB-40-...-SI-B | G1/4 | 4 | 40 | 43 | 17 | - | - | 8 | 17 |
| VASB-55-...-SI-B | G1/4 | 4 | 55 | 52 | 17 | - | - | 8 | 17 |
| VASB-75-...-SI-B | G1/4 | 4 | 75 | 43.7 | 14.2 | - | - | 8 | 17 |
| VASB-100-...-SI-B | G1/4 | 4 | 100 | 43.7 | 14.2 | - | - | 8 | 17 |
| VASB-125-...-SI-B | G3/8 | 7 | 125 | 60 | 16.4 | - | - | 9 | 19 |
| VASB-8-...-PUR-B | M5 | 2 | 8 | 22.5 | 11.5 | 3.55 | 18.95 | - | 8 |
| VASB-15-...-PUR-B | G1/8 | 3 | 15 | 25.5 | 12 | 4.7 | 20.8 | - | 13 |
| VASB-30-...-PUR-B | G1/8 | 3 | 30 | 34 | 12 | 4.7 | 29.3 | - | 13 |
| VASB-40-...-PUR-B | G1/4 | 4 | 40 | 43 | 17 | 5.8 | 37.2 | - | 17 |
| VASB-55-...-PUR-B | G1/4 | 4 | 55 | 52 | 17 | 5.8 | 46.2 | - | 17 |
| VASB-75-...-PUR-B | G1/4 | 4 | 75 | 43.5 | 17 | 5.8 | 37.7 | - | 17 |
| VASB-100-...-PUR-B | G1/4 | 4 | 100 | 43.5 | 17 | 5.8 | 37.7 | - | 17 |
| VASB-125-...-PUR-B | G3/8 | 7 | 125 | 60 | 20 | 6 | 54 | - | 19 |

Datasheet

★ Core Range

| Ordering data | | | | |
|-----------------------|-------------------|---------------|-----------|--------------------|
| Suction cup ø [mm] | Vacuum connection | Weight [g] | Part no. | Type |
| VMQ (silicone) | | | | |
| 15 | G1/8 | 4 | ★ 1377689 | VASB-15-1/8-SI-B |
| Polyurethane | | | | |
| 55 | G1/4 | 39 | ★ 1396063 | VASB-55-1/4-PUR-B |
| Ordering data | | | | |
| Suction cup ø [mm] | Vacuum connection | Weight [g] | Part no. | Type |
| VMQ (silicone) | | | | |
| 8 | M5 | 2 | 1394696 | VASB-8-M5-SI-B |
| 30 | G1/8 | 7 | 1377637 | VASB-30-1/8-SI-B |
| 40 | G1/4 | 18 | 1372910 | VASB-40-1/4-SI-B |
| 55 | G1/4 | 29 | 1373812 | VASB-55-1/4-SI-B |
| 75 | G1/4 | 78 | 1378427 | VASB-75-1/4-SI-B |
| 100 | G1/4 | 132 | 1382277 | VASB-100-1/4-SI-B |
| 125 | G3/8 | 247 | 1387375 | VASB-125-3/8-SI-B |
| Polyurethane | | | | |
| 8 | M5 | 4 | 1395637 | VASB-8-M5-PUR-B |
| 15 | G1/8 | 11 | ★ 1395671 | VASB-15-1/8-PUR-B |
| 30 | G1/8 | 14 | 1395690 | VASB-30-1/8-PUR-B |
| 40 | G1/4 | 30 | 1395691 | VASB-40-1/4-PUR-B |
| 75 | G1/4 | 90 | 1396064 | VASB-75-1/4-PUR-B |
| 100 | G1/4 | 155 | 1396066 | VASB-100-1/4-PUR-B |
| 125 | G3/8 | 294 | 1396067 | VASB-125-3/8-PUR-B |

Festo - Your Partner in Automation



1 Festo Inc.
5300 Explorer Drive
Mississauga, ON L4W 5G4
Canada

Festo Customer Interaction Center
Tel: 1 877 463 3786
Fax: 1 877 393 3786
Email: customer.service.ca@festo.com



2 Festo Pneumatic
Av. Ceylán 3,
Col. Tequesquináhuac
54020 Tlalnepantla,
Estado de México

Multinational Contact Center
01 800 337 8669
ventas.mexico@festo.com



3 Festo Corporation
1377 Motor Parkway
Suite 310
Islandia, NY 11749

Festo Customer Interaction Center
1 800 993 3786
1 800 963 3786
customer.service.us@festo.com



4 Regional Service Center
7777 Columbia Road
Mason, OH 45040

Connect with us



www.festo.com/socialmedia



www.festo.com

Subject to change